

Post Top LED Retrofit Kit



Post Top Area Light (D11 Area Light Retrofit Kit) from SYLVANIA is an alternative to high-intensity discharge (HID) lamps up to 175W at pole heights up to 20 feet. By taking advantage of the directional light distribution of high power white LEDs, this revolutionary system delivers light only where needed, minimizing light trespass. It is an ideal solution for communities that wish to convert their existing lighting systems to an environmentally friendly technology that offers substantial energy and maintenance cost savings as well as dramatic improvements in light quality. It is mercury-free, lead-free, and eliminates service calls for cycling HID lamps.

For purposes of ARRA, this product is made in the US.

This device complies with part 15 of the FCC Rules. Operation is subject to the following two conditions: (1) This device may not cause harmful interference, and (2) this device must accept any interference received, including interference that may cause undesired operation. For FCC Part 15 user information, please see www.sylvania.com/fcc15b.

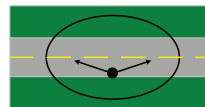
Key Features & Benefits

- Reduces street light energy consumption up to 77%
- Provides significant maintenance cost savings by lasting 2-6 times longer than HID lamps
- Reduces light pollution by eliminating upward light emission
- UL1598 Classified and IP44 rated
- 120 – 277V AC input voltage at 60Hz with surge protection
- Type-III Medium and Type-V Short light distribution
- 5200K CCT, CRI 68, 5700K CCT, CRI 65 and 4900K CCT, CRI 80
- Average rated life of 50,000 hours with 70% lumen maintenance
- Incorporates 60 Golden DRAGON Plus LEDs from OSRAM Opto Semiconductors
- UL1310 Recognized Class 2 OPTOTRONIC® power supply

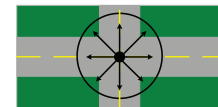


Product Offering

| Item Number | Ordering Abbreviation | Wattage (W) | Voltage | Light Distribution |
|-------------|--------------------------|-------------|---------|--------------------|
| 78532 | LED40POST/652/T3M/D11/1G | 40 | 120-277 | Type-III Medium |
| 78599 | LED40POST/849/T3M/D11/1G | 40 | 120-277 | Type-III Medium |
| 78606 | LED40POST/657/T5S/D11/1G | 40 | 120-277 | Type-V Short |
| 78607 | LED40POST/849/T5S/D11/1G | 40 | 120-277 | Type-V Short |



Type-III



Type-V

Application Information

Applications

- College and business park campuses
- Historic restorations and downtown business districts
- Parking lots and garages
- Public parks
- Residential roadways, walkways and bikeways
- Shopping centers, malls and plazas

Application Notes

1. To prevent personal injury or product damage only licensed electricians should provide all installation services.
2. Please read installation manual before attempting installation.
3. To avoid electric shock or component damage disconnect power before attempting installation or servicing.
4. Installation must be structurally sound as to prevent damage or personal injury due to fixture collapse.
5. Any alteration or modification of this product is expressly forbidden as it may cause serious personal injury, death, property damage and/or product malfunction.



Specification Data

| | | | |
|-------------|-------|------|-------|
| Catalog # | _____ | Type | _____ |
| Project | _____ | | |
| Comments | _____ | | |
| Prepared by | _____ | Date | _____ |

Ordering Information

| Item Number | Ordering Abbreviation | Wattage (W) | Input Voltage (VAC) | Power Factor ¹ | Efficacy (lm/W) ² | Average Rated Life (hrs.) ³ | Typical Lumens (lm) ⁴ | CCT ⁵ | CRI | Temperature ⁶ | BUG Rating ⁷ |
|-------------|--------------------------|-------------|---------------------|---------------------------|------------------------------|--|----------------------------------|------------------|-----|--------------------------|-------------------------|
| 78532 | LED40POST/652/T3M/D11/1G | 40 | 120-277 | 0.9 | 70 | 50,000 | 2800 | 5200K | 68 | -30°C to 40°C | B1 U2 G1 |
| 78599 | LED40POST/849/T3M/D11/1G | 40 | 120-277 | 0.9 | 67 | 50,000 | 2685 | 4900K | 80 | -30°C to 40°C | B1 U2 G1 |
| 78606 | LED40POST/657/T5S/D11/1G | 40 | 120-277 | 0.9 | 92 | 50,000 | 3661 | 5700K | 65 | -30°C to 40°C | B2 U2 G1 |
| 78607 | LED40POST/849/T5S/D11/1G | 40 | 120-277 | 0.9 | 80 | 50,000 | 3200 | 4900K | 80 | -30°C to 40°C | B2 U2 G1 |

1. Power factor at nominal AC supply voltage.
2. Thermally stable typical initial efficacy (±10%).
3. Hours lifetime with 70% lumen maintenance. Based on operation temperature at 40°C.
4. Thermally stable typical lumens (±10%).
5. Thermally stable typical CCT (±10%).
6. Operating temperature refers to temperature of ambient air outside fixture.
7. BUG rating characteristics measured on retrofit module; final rating performance dependent upon fixture.

Ordering Guide

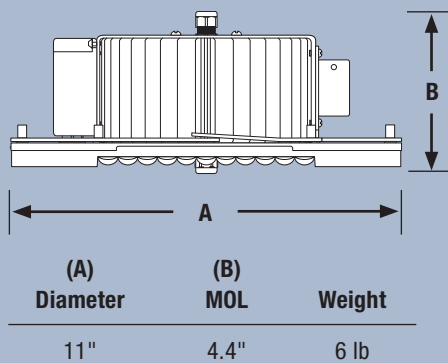
| LED | 40 | POST | / | 652 | / | T3M | / | D11 | / | 1G |
|-------------------------|--------------|------------------------|---|----------------------------------|---|--|---|---------------------|---|-----------------------|
| LED Lamps and Retrofits | Wattage: 40W | Fixture Type: Post Top | | CRI, CCT: 652: 68 CRI, 5200K CCT | | Light Distribution: T3M: Type-III medium | | Diameter: 11 inches | | Generation: 1G: First |

Power Supply Ordering Information

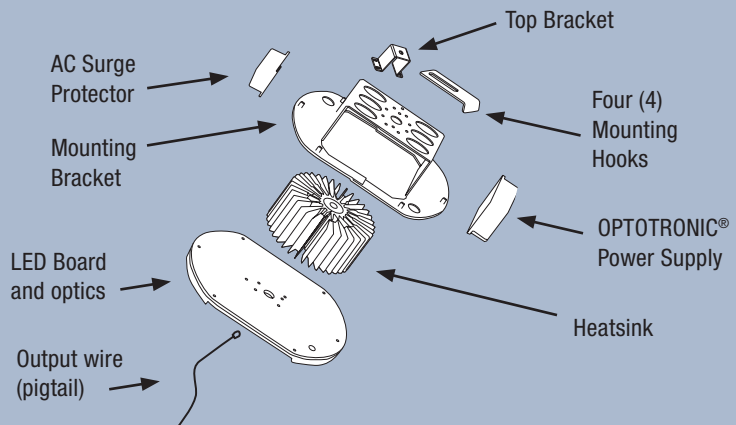
| Item Number | Ordering Abbreviation | Power Supply IP Rating |
|-------------|-----------------------|------------------------|
| 51530-2 | OT40/UNV/1110E* | IP66 |

* Constant current power supply (1.11A). UL1310 and UL48 recognized for US & Canada. Class 2 unit

Technical Information



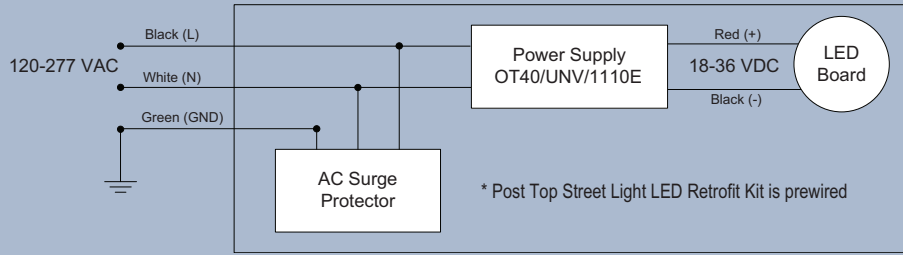
Post Top Street Light LED is pre-assembled



Wiring Diagram

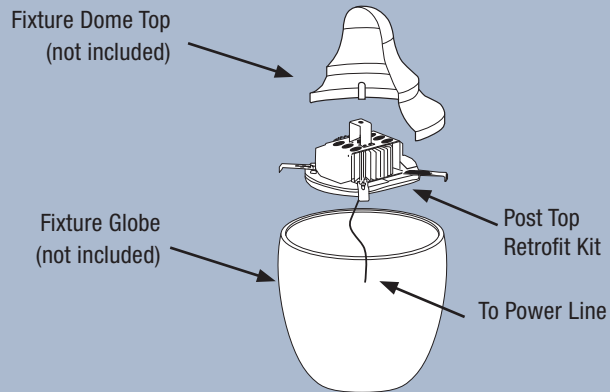
Notes:

1. AC surge protector, OPTOTRONIC® power supply and LED Module are prewired in Post Top Street Light LED Retrofit Kit
2. Post Top Street Light LED Retrofit Kit output wire: 18 AWG in pigtail (4 feet)



Assembly Diagram

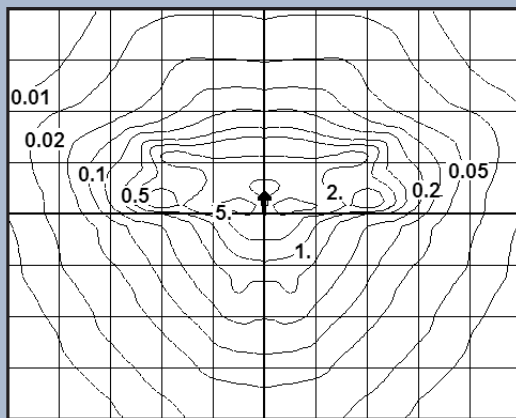
Refer to Installation Manual
for mounting instructions



Photometric Distribution

Illuminance Diagram

(Without fixture globe)

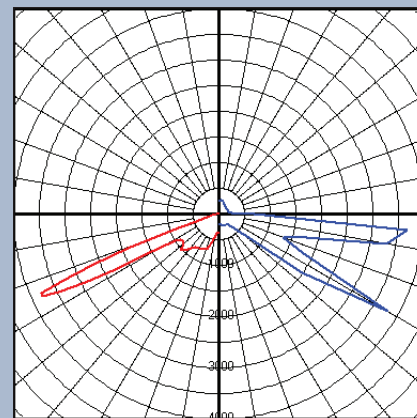


Illuminance in footcandles

Mounting Height = 10'. Each box is one mounting height.
Type III, Medium, 5700K CCT
(Distribution might change when fixture globe is present)

Luminous Intensity Distribution

(Without fixture globe)



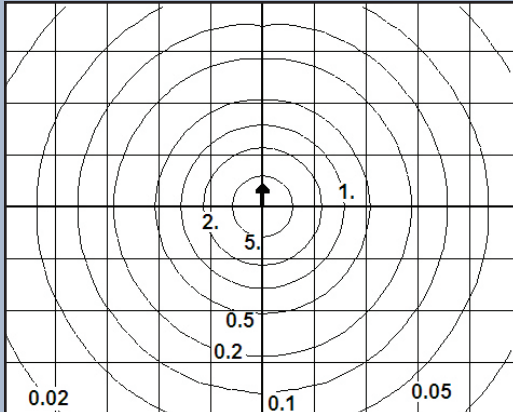
Intensity in candelas

Max. plane at H = 60 Max cone at V = 66
Max. candlepower = 3700
(Distribution might change when fixture globe is present)

Photometric Distribution

Illuminance Diagram

(Without fixture globe)

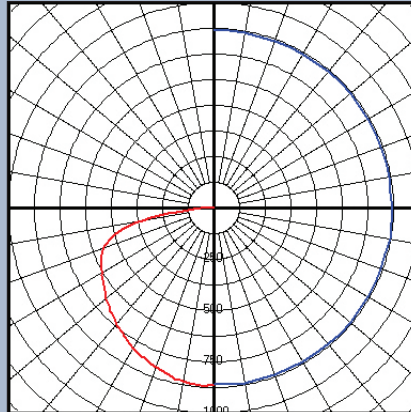


Illuminance in footcandles

Mounting Height = 10'. Each box is one mounting height.
Type-V Short, 5700K CCT
(Distribution might change when fixture globe is present)

Luminous Intensity Distribution

(Without fixture globe)



Intensity in candelas

Max. plane at H = 80 Max cone at V = 3
Max. candlepower = 870
(Distribution might change when fixture globe is present)

Warranty

Refer to OSI Post Top LED Retrofit Kit
Statement of Limited Warranty.

United States
OSRAM SYLVANIA
100 Endicott Street
Danvers, MA 01923

Trade
Phone: 1-800-255-5042
Fax: 1-800-255-5043

National Accounts
Phone: 1-800-562-4671
Fax: 1-800-562-4674

OEM/Special Markets
Phone: 1-800-762-7191
Fax: 1-800-762-7192

Display/Optic
Phone: 1-888-677-2627
Fax: 1-800-762-7192

Canada
OSRAM SYLVANIA LTD.
2001 Drew Road
Mississauga, ON L5S 1S4

Trade
Phone: 1-800-263-2852
Fax: 1-800-667-6772

OEM/Special Markets/Display/Optic
Phone: 1-800-265-2852
Fax: 1-800-667-6772

www.sylvania.com

SYLVANIA is a registered trademark of OSRAM SYLVANIA Inc.
SEE THE WORLD IN A NEW LIGHT is a registered trademark of OSRAM SYLVANIA Inc.
OPTOTRONIC is a registered trademark of OSRAM GmbH.
All other trademarks are those of their respective owners.
Specifications subject to change without notice.