

Wall Switches: Single Pole

APPLICABLE SERIES

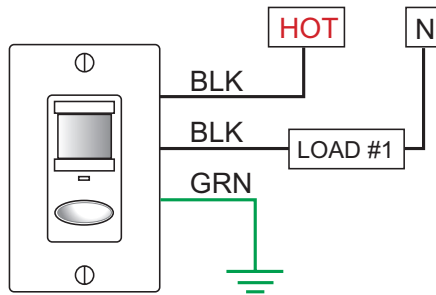
WIRING DETAILS

NOTES

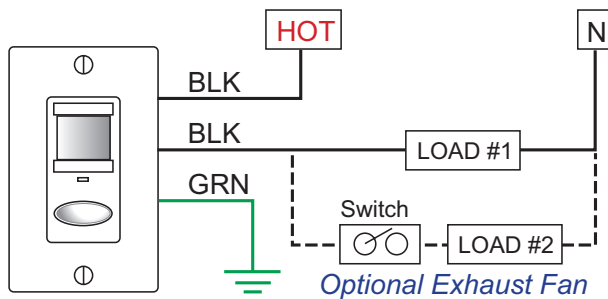
WSD
 WSD-SA
 WSD-PDT
 WSD-PDT-SA
 LWS
 LWSH
 LWS-PDT
 LWSH-PDT

DO NOT WIRE HOT
 Connection to Ground required for sensor to function!
 Black wires are replaced with Red wire for 347 VAC.

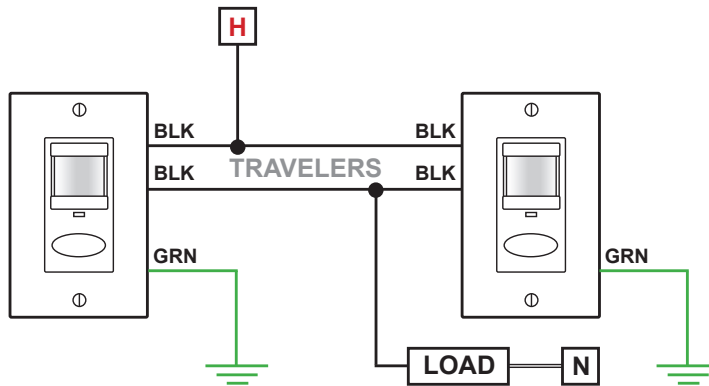
TYPICAL WIRING



WIRING TO LIGHT & FAN



WIRING 2 SENSORS IN 3-WAY CONFIGURATION



WIRING TOGETHER w/ 3-WAY SWITCH

