

*Features + Specifications*

**IP00-606475**

**Intended Use:**

- Ceiling Recessed housing
- IC & AT rated

**Construction:**

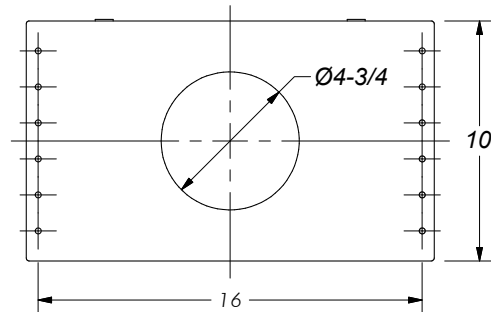
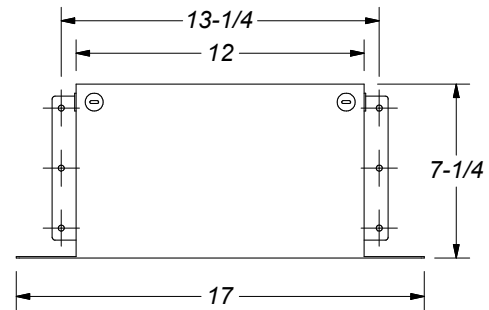
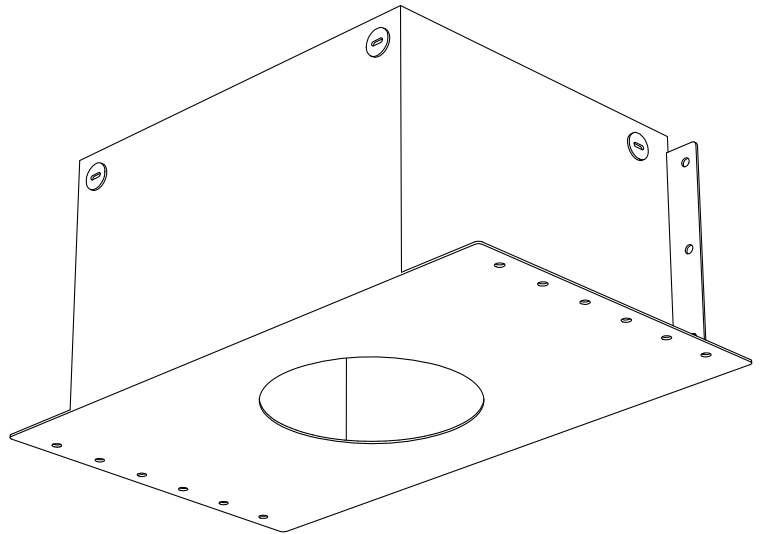
- Formed galvanized steel sheets
- Joints are overlapped and spot welded

**Electrical:**

- Approved for thru branch circuit wiring

**Installation:**

- Unique versatile design, very easy to install
- No junction box, no splicing needed, half the labor cost to install and wire
- Shallow height will fit 2 x 8 floor joist construction
- No hanger bars needed for installation up to 16" joist spacing
- Hanger bars available for 24" spacing (order part #HB24)



*Product Code Information*

**IP00-606475**  
**HB24**

**new construction housing**  
**24" hanger bar kit**

Project Name:		Fixture Type:	
QTY:	Product Code:		