

Features + Specifications

IP00-600030

Intended Use:

- Ceiling Recessed housing
- IC & AT rated

Construction:

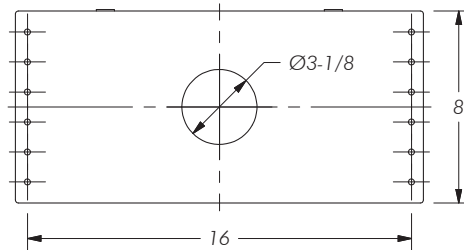
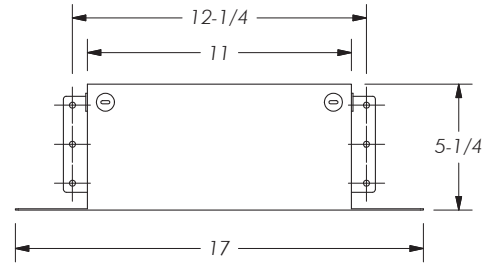
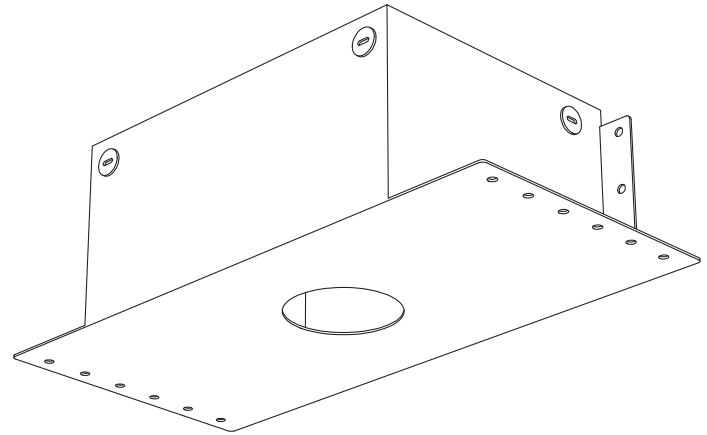
- Formed satin coated steel
- Joints are overlapped and spot welded

Electrical:

- Approved for thru branch circuit wiring

Installation:

- Unique versatile design, very easy to install
- Shallow height will fit 2 x 6 floor joist construction
- No hanger bars needed for installation up to 16" joist spacing
- Hanger bars available for 24" spacing (order part #HB24)



Product Code Information

IP00-600030
HB24

new construction housing
24" hanger bar kit

Project Name:		Fixture Type:	
QTY:	Product Code:		

Features + Specifications

IP00-600040

Intended Use:

- Ceiling Recessed housing
- IC & AT rated

Construction:

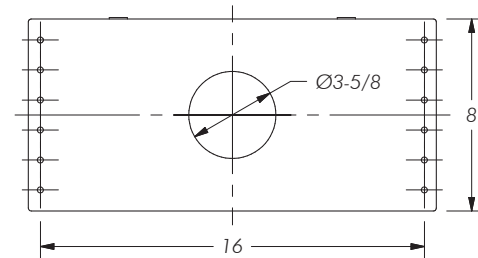
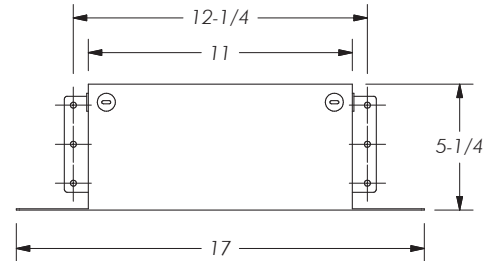
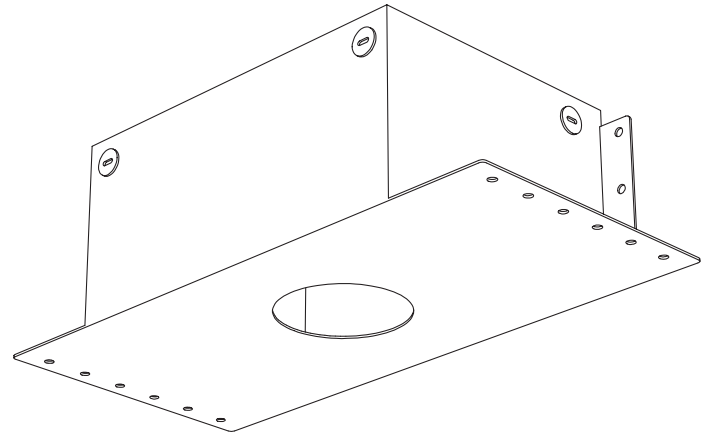
- Formed satin coated steel
- Joints are overlapped and spot welded

Electrical:

- Approved for thru branch circuit wiring

Installation:

- Unique versatile design, very easy to install
- Shallow height will fit 2 x 6 floor joist construction
- No hanger bars needed for installation up to 16" joist spacing
- Hanger bars available for 24" spacing (order part #HB24)



Product Code Information

IP00-600040
HB24

new construction housing
24" hanger bar kit

Project Name:		Fixture Type:	
QTY:	Product Code:		

Features + Specifications

IP00-600050

Intended Use:

- Ceiling Recessed housing
- IC & AT rated

Construction:

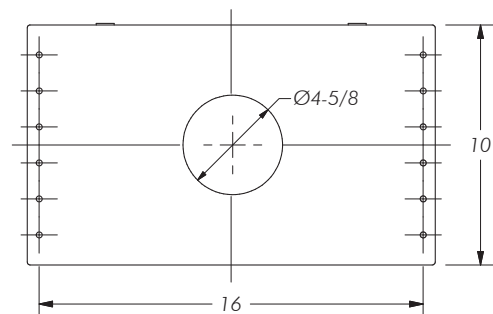
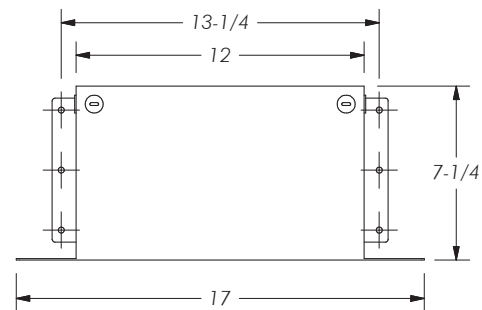
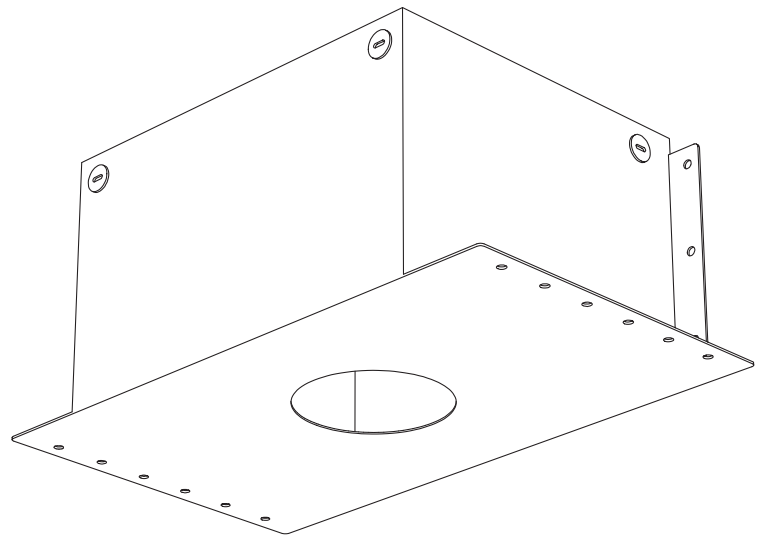
- Formed satin coated steel
- Joints are overlapped and spot welded

Electrical:

- Approved for thru branch circuit wiring

Installation:

- Unique versatile design, very easy to install
- Shallow height will fit 2 x 8 floor joist construction
- No hanger bars needed for installation up to 16" joist spacing
- Hanger bars available for 24" spacing (order part #HB24)



Product Code Information

IP00-600050
HB24

new construction housing
24" hanger bar kit

Project Name:		Fixture Type:	
QTY:	Product Code:		

Features + Specifications

IP00-600060

Intended Use:

- Ceiling Recessed housing
- IC & AT rated

Construction:

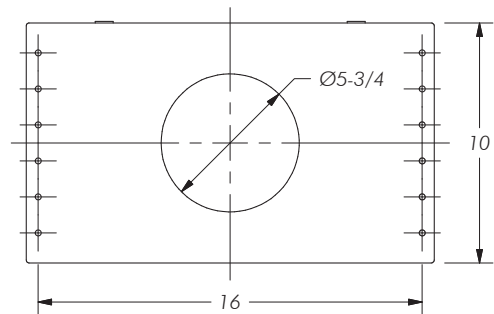
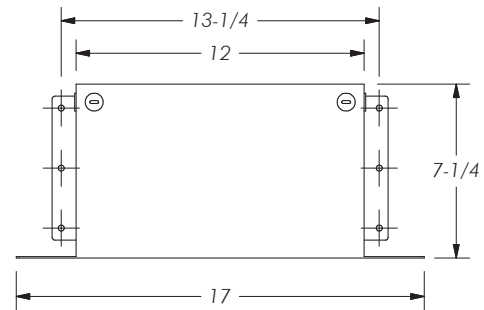
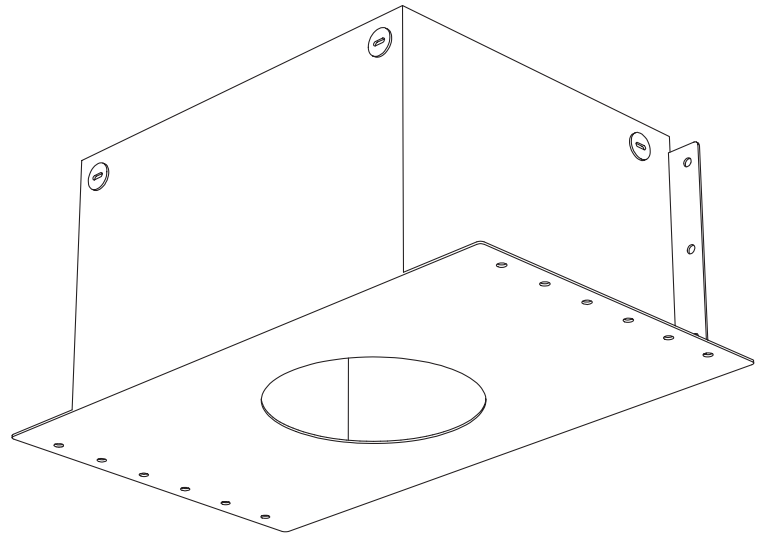
- Formed satin coated steel
- Joints are overlapped and spot welded

Electrical:

- Approved for thru branch circuit wiring

Installation:

- Unique versatile design, very easy to install
- Shallow height will fit 2 x 8 floor joist construction
- No hanger bars needed for installation up to 16" joist spacing
- Hanger bars available for 24" spacing (order part #HB24)



Product Code Information

IP00-600060
HB24

new construction housing
24" hanger bar kit

Project Name:		Fixture Type:	
QTY:	Product Code:		